

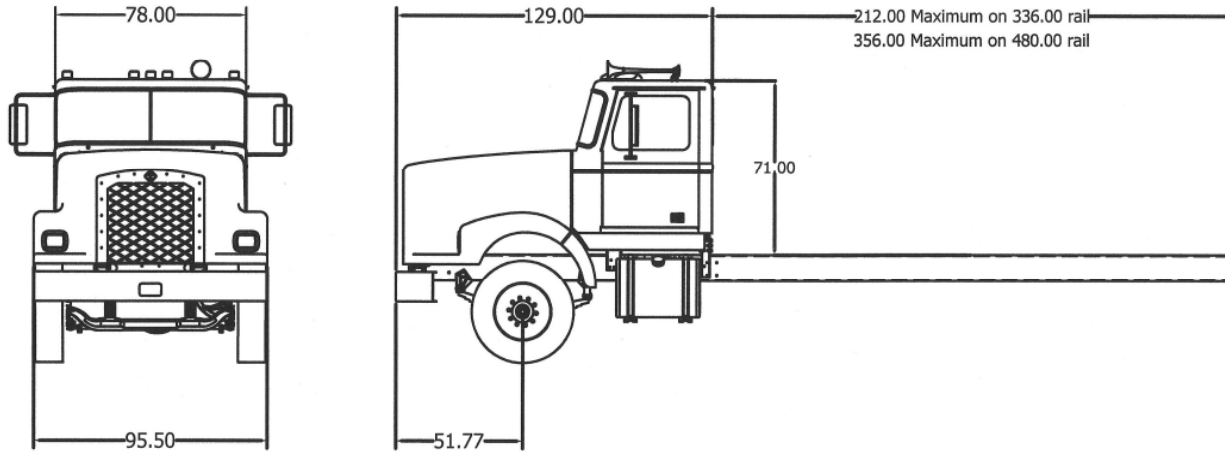


T-LINE



T9820B GLIDER KIT

STANDARD SPECIFICATIONS



ENGINE EQUIPMENT:

NONE

*Options available for Cummins L10, M11, ISM, N14 & ISX Caterpillar C11, C13, 3406B/C and C15 Installation packages.

CLUTCH EQUIPMENT:

Foot pedal and upper linkage

TRANSMISSION EQUIPMENT:

NONE

REAR AXLE:

NONE

*Options available for various single and tandem axles.

COOLING:

1288 SQ-IN H.D. Bolted Radiator

FUEL TANK:

100 Gallon Steel Cylindrical; LH Mounted

*Options available for various capacity steel and aluminum fuel tanks.

EXHAUST:

Single Vertical Muffler & Tailpipe; RH Cab Mounted

*Options available for other types of exhaust.

FRONT AXLE:

AXLETECH FS12; 12,000 LB Capacity

*Options available for AxleTech & Meritor to 20,000 Lbs.

STEERING:

TRW TAS65 Integral Power with 2 Quart Reservoir

* Optional steering available for larger front axles.

FRAME:

10-5/8" x 3-1/2" x 5/16" Alloy Steel Single Channel
110,000 PSI Yield Strength

*Options available for full length frame liners & fishplates.

SUSPENSION:

Front - 54" x 4" Taperleaf Springs; 12,000 LB Capacity

*Options available to match optional front axles.

Rear - NONE

*Options available for various Hendrickson spring, rubber and air ride rear suspensions.

HOOD:

123" BBC Heavy Duty Fiberglass Tilting with S.S. Grille

CAB:

Three man aluminum custom conventional cab with: black padded vinyl upholstery, black rubber floor mat, lo-back air ride drivers seat, tinted glass, electric analog instruments, electric windshield wipers, tilt/telescopic steering column with 18" diameter sport steering wheel, dual s.s. west coast mirrors, dual entry grab handles

BRAKES:

Front - 16.5 x 5 Cam Type with Auto Slack Adjusters

Rear - NONE

* Rear brake options when axle is included.

Bendix AD9 Air Dryer

TIRES & WHEELS:

Goodyear 11R22.5 LR-H Tubeless Radial

On 22.5 x 8.25 Hub Piloted Steel Wheels

PAINT:

Single color single stage polyurethane paint - cab & hood
Black paint on chassis and drivetrain. Argent bumper.

© 2019 J. Whitman Design